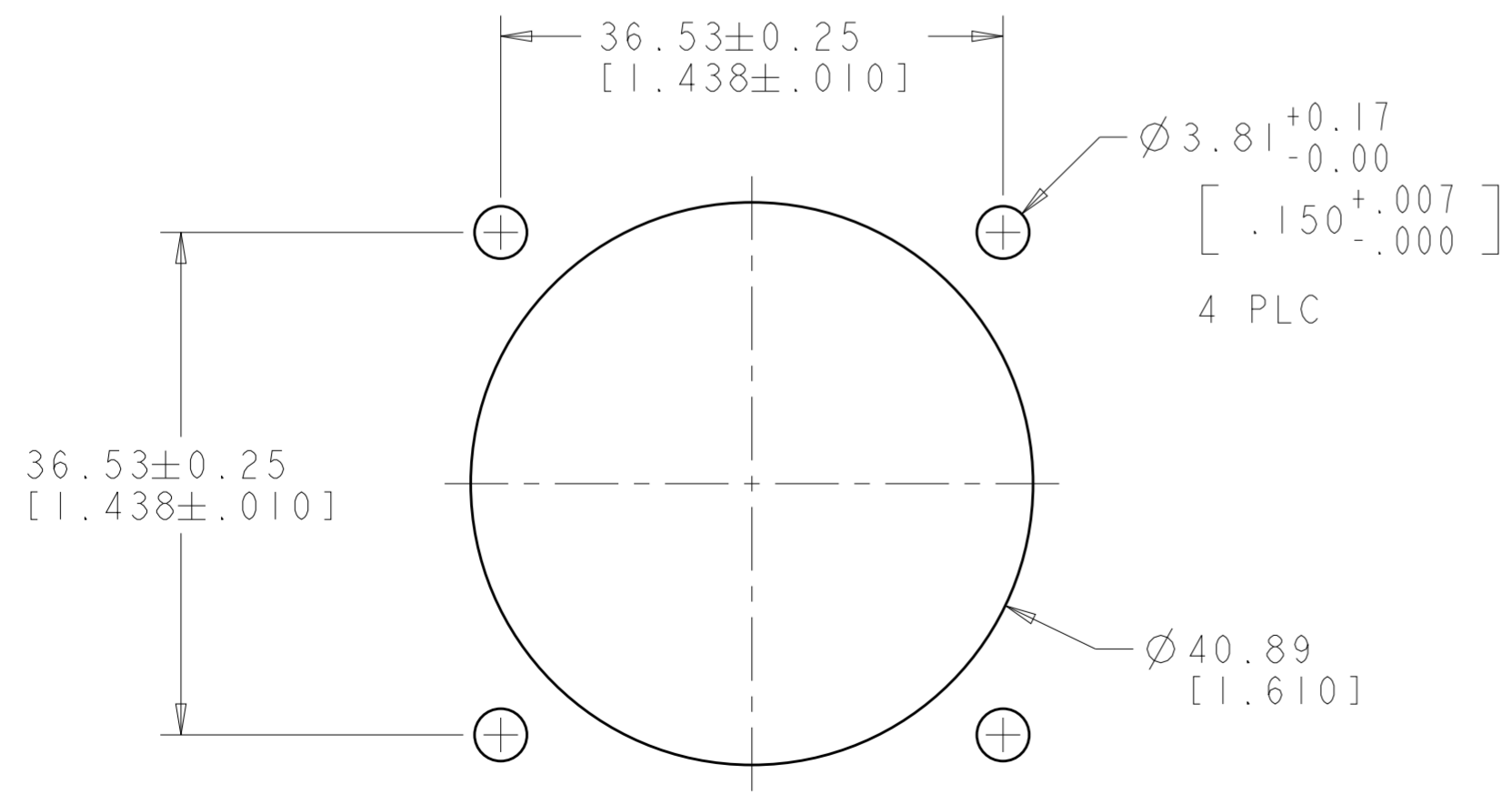
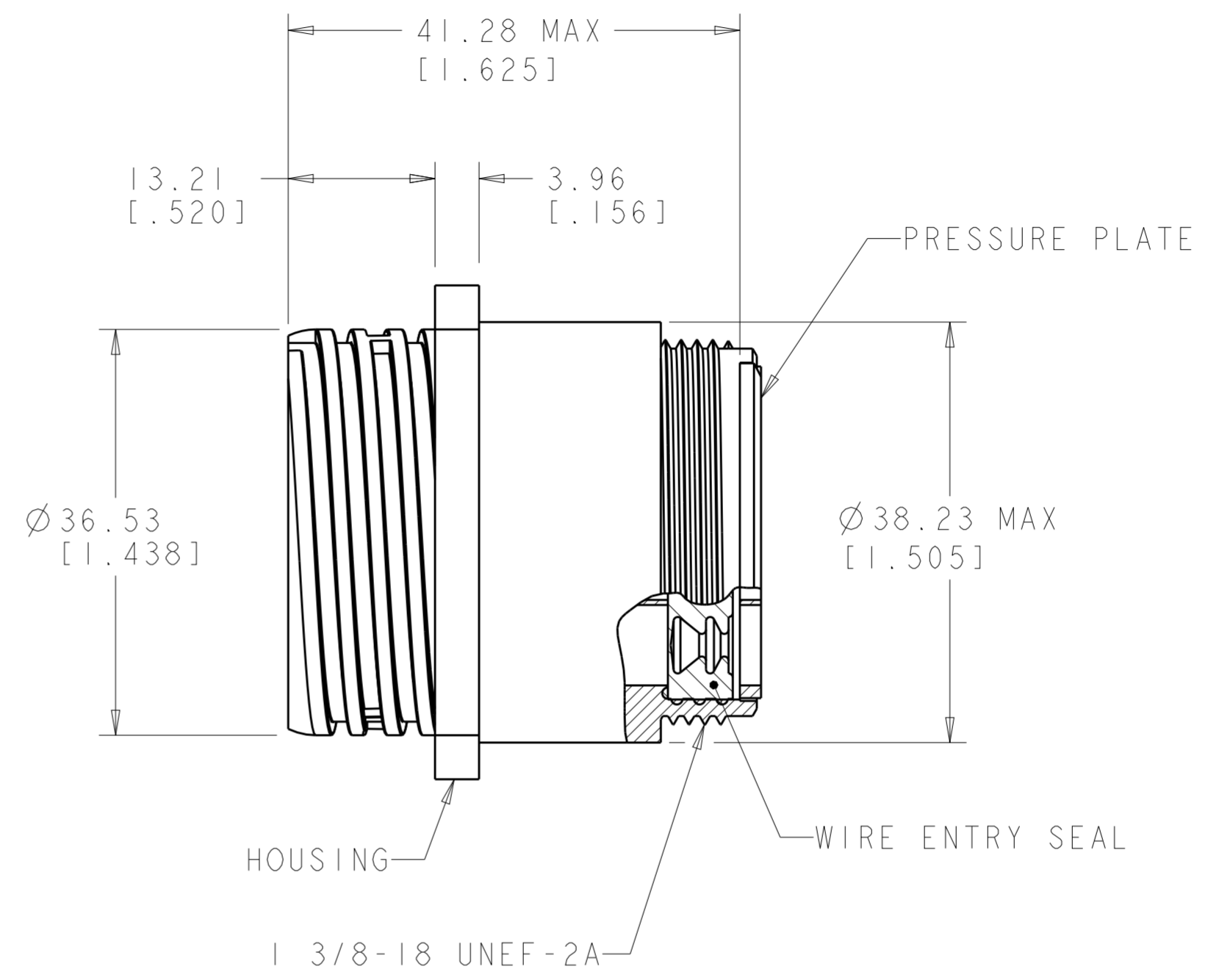
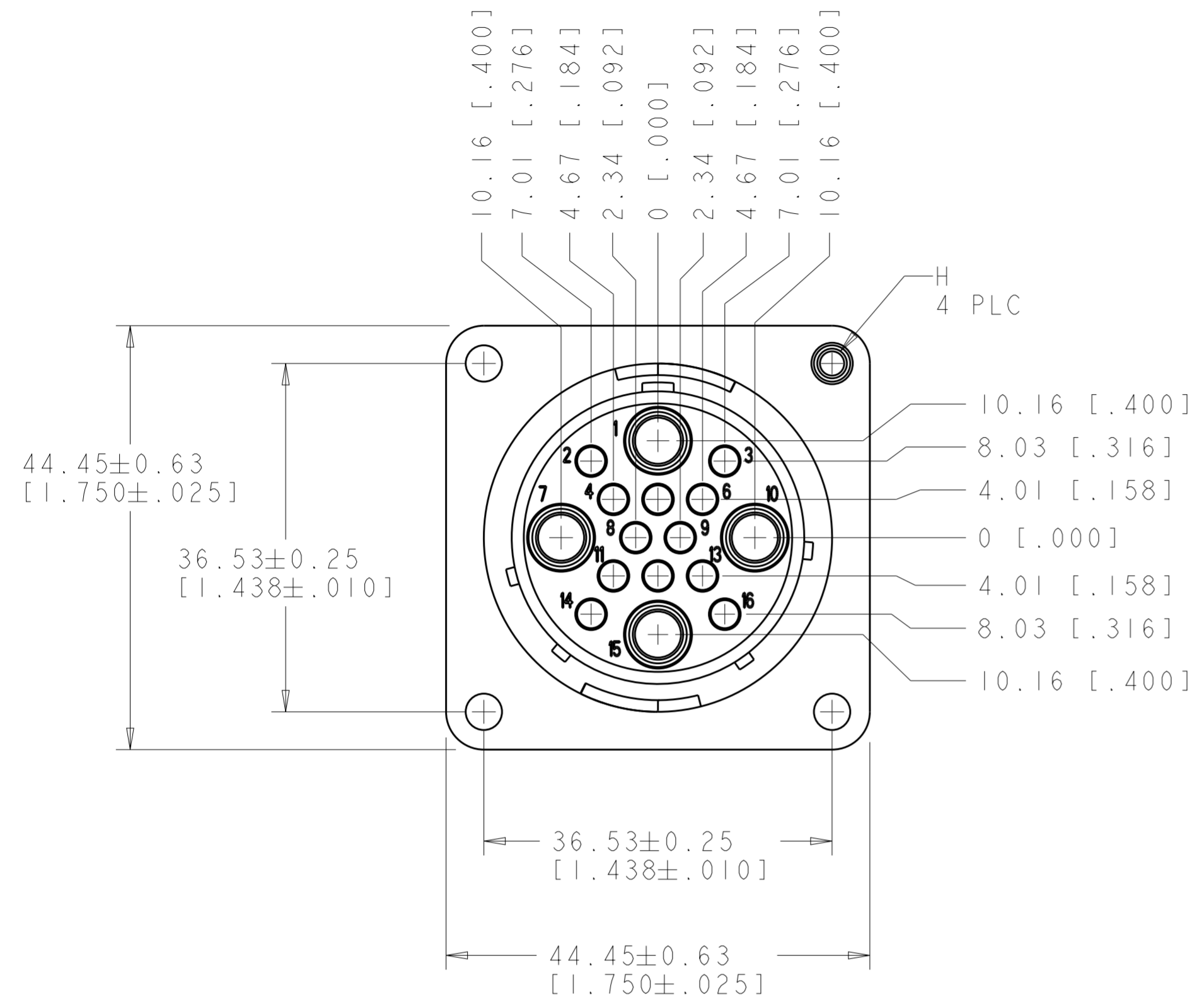


THIS DRAWING IS UNPUBLISHED. RELEASED FOR PUBLICATION  
 © COPYRIGHT copyright.d8te- ALL RIGHTS RESERVED.

REVISIONS				
P	LTR	DESCRIPTION	DATE	APVD
B2		REVISED PER ECO-16-004800	08SEP2016	NK MZ



- 1 HOUSING & PRESSURE PLATE: NYLON, BLACK.  
WIRE ENTRY SEAL: ELASTOMER, RED-IRON OXIDE.  
PERIPHERAL SEAL: ELASTOMER, GREY.
- 2. WILL ACCEPT (12) MULTIMATE PINS AND (4) POWER MALE CONTACTS.
- 3 OBSOLETE PARTS: OBSOLETE CIS STREAMLINING PER D.RENAUD/D.SINISI

3	OBSOLETE	POWER	3.81 ± 0.07 [.150 ± .003]	796466-3
	OBSOLETE	STD	W/ THREADED INSERTS	796466-2
		STD	3.81 ± 0.07 [.150 ± .003]	796466-1
		WIRE ENTRY SEAL	H	PART NUMBER

THIS DRAWING IS A CONTROLLED DOCUMENT.		DWN S. WELDON 10MAY00	<b>STE</b> TE Connectivity	
DIMENSIONS: mm [INCHES]		CHK K. DOWHOWER 10MAY00		
TOLERANCES UNLESS OTHERWISE SPECIFIED:		APVD K. DOWHOWER 10MAY00	NAME RECEPTACLE ASSY, SERIES 6, STANDARD SEX, SIZE 23-16, CIRCULAR PLASTIC CONNECTOR	
0 PLC ±		PRODUCT SPEC 108-1579	SIZE CAGE CODE DRAWING NO RESTRICTED TO	
1 PLC ±		APPLICATION SPEC -	A200779 C-796466	
2 PLC ±0.02		WEIGHT -	SCALE 2:1 SHEET OF 1 REV B2	
3 PLC ±		CUSTOMER DRAWING		
4 PLC ±				
ANGLES ±				
FINISH ±				

RECOMMENDED PANEL CUTOUT