

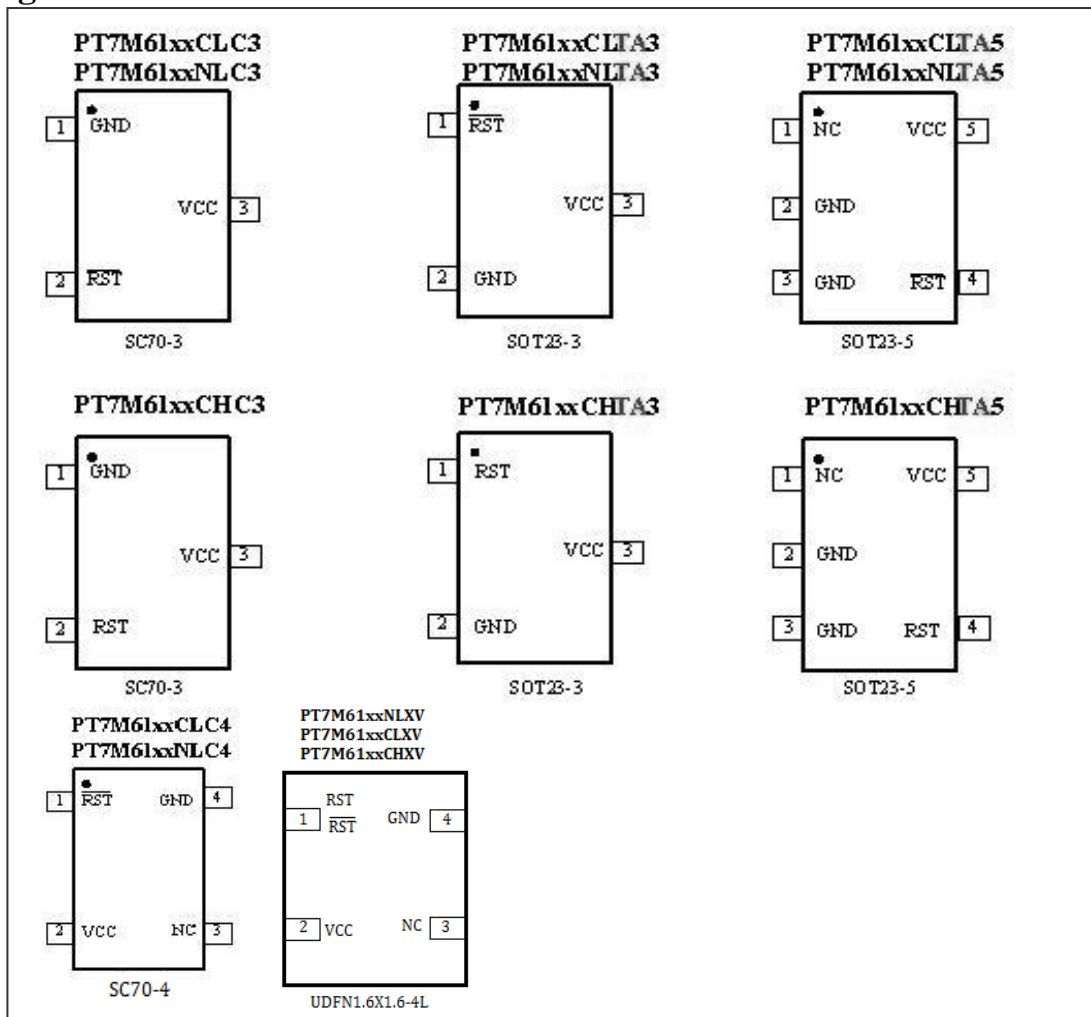
**Features**

- Highly accurate:  $\pm 1.5\%$  (25 °C)
- Low power consumption:  $1\mu\text{A}$  @ 3.6V  $V_{CC}$
- Detect voltage range: 1.8 to 5V in 100mV increments
- Operating voltage range: 1.2V ~ 5.5V
- Operating temperature range: -40 °C to +85 °C
- Detect voltage accuracy over temperature:  $\pm 2.5\%$   $\times$  Typ
- Output configuration: N-channel open drain or CMOS

**Description**

The PT7M61xx series of ultra-low-power voltage detectors monitor battery, power-supply and system voltages. Each circuit includes a precision bandgap reference, a comparator, internally trimmed resistor networks that set specified trip thresholds, and an internal 1% and 5% threshold hysteresis circuit. Output is asserted when  $V_{CC}$  falls below the internal  $V_{TH-}$  and remains asserted until  $V_{CC}$  rises above  $V_{TH+}$  ( $V_{TH+} = V_{TH-} \times 1.05$ ). These devices provide excellent circuit reliability and low cost by eliminating external components and adjustments when monitoring nominal system voltages from +1.8V to +5V in 100mV increments. The series are voltage detectors with a propagation delay of 17  $\mu\text{s}$ .

The family is available with three output stage options: push-pull with active-low output, push-pull with active-high output, and open drain with active-low output. These devices specified over the -40 °C to +85 °C temperature range.

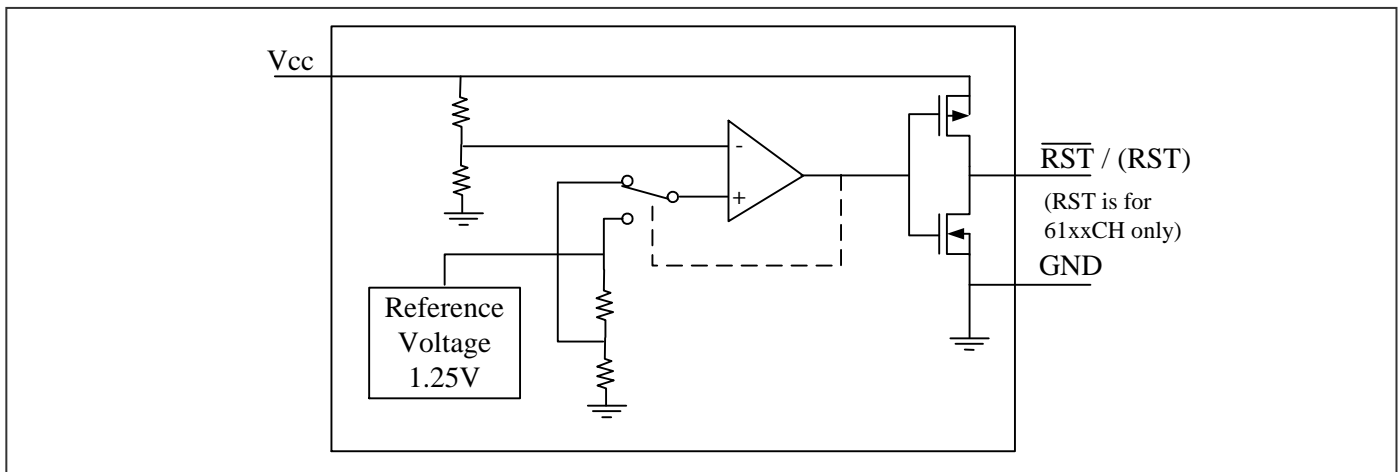
**Pin Configuration**


### Pin Description

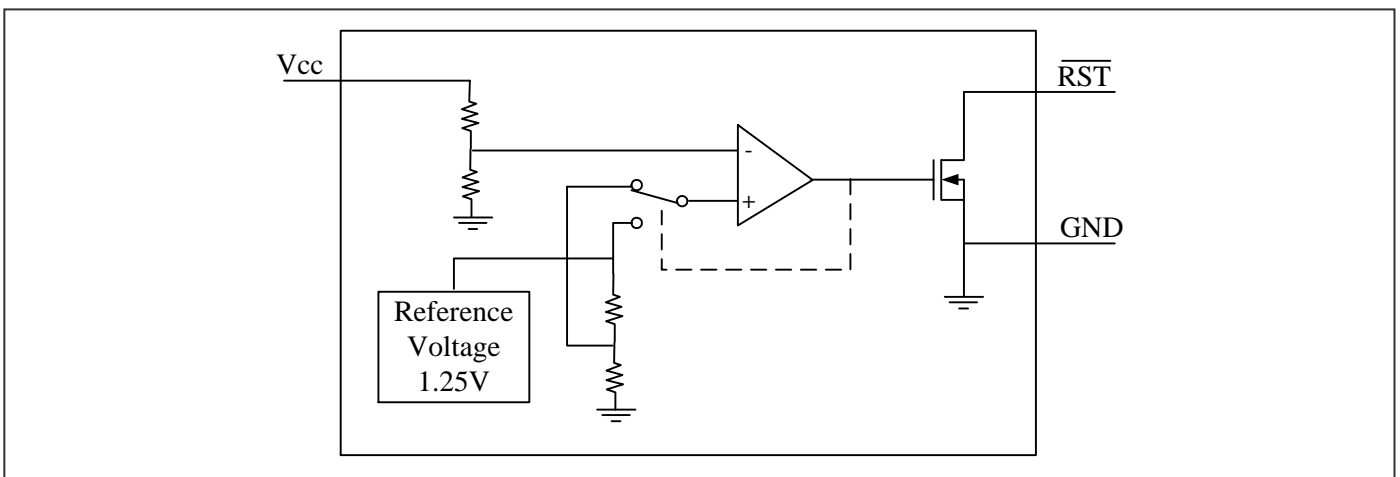
Name	Type	Description
$\overline{\text{RST}}$	O	<b>Reset Output (PT7M61xxCL/NL):</b> $\overline{\text{RST}}$ is asserted when $V_{CC}$ drops below voltage threshold $V_{TH}$ . Active low.
RST	O	<b>Reset Output (PT7M61xxCH):</b> RST is asserted when $V_{CC}$ drops below voltage threshold $V_{TH}$ . Active high.
GND	P	<b>Ground</b>
$V_{CC}$	P	<b>Supply Voltage.</b>

### Block Diagram

Block Diagram of PT7M61xxCL/CH



Block Diagram of PT7M61xxNL



## Maximum Ratings

Storage Temperature .....	-65°C to +150°C
Ambient Temperature with Power Applied.....	-40°C to +85°C
Supply Voltage to Ground Potential (V <sub>CC</sub> to GND) .....	-0.3V to +6.0V
DC Input Voltage (All inputs except V <sub>CC</sub> and GND).....	-0.3V to V <sub>CC</sub> +0.3V
DC Output Current (All outputs) .....	20mA
Power Dissipation .....	320mW (Depend on package)

### Note:

Stresses greater than those listed under MAXIMUM RATINGS may cause permanent damage to the device. This is a stress rating only and functional operation of the device at these or any other conditions above those indicated in the operational sections of this specification is not implied. Exposure to absolute maximum rating conditions for extended periods may affect reliability.

## DC Electrical Characteristics

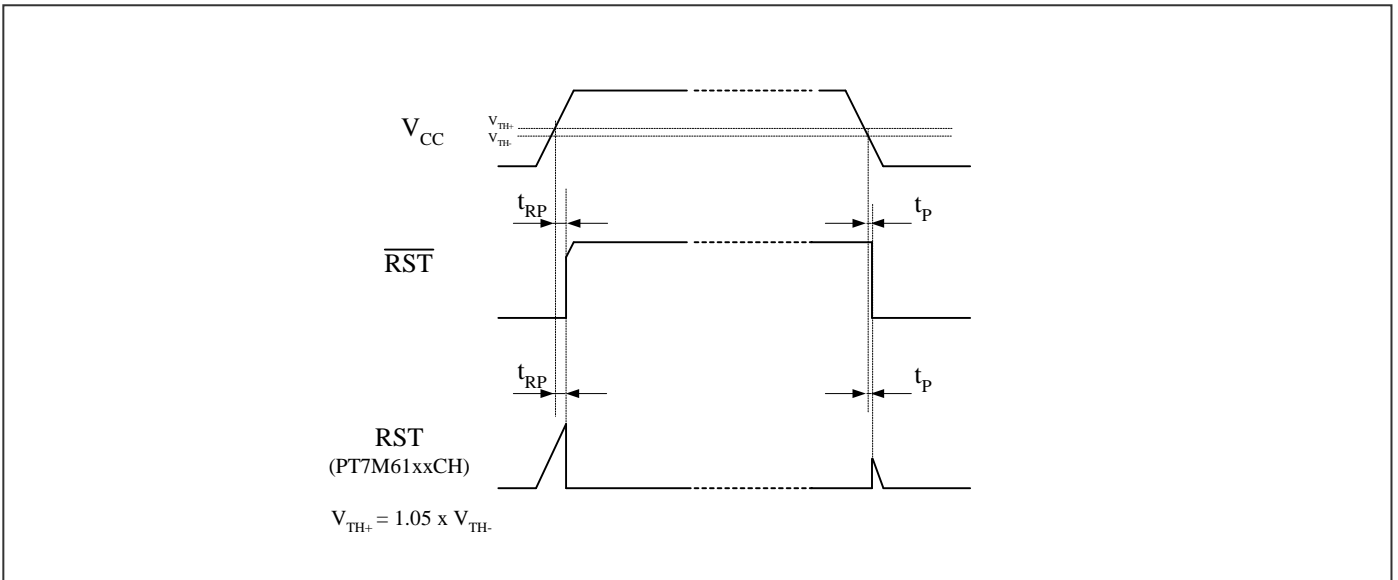
(V<sub>CC</sub> = 1.2V to 5.5V, T<sub>A</sub> = -40~85 °C, unless otherwise noted. Typical values are at T<sub>A</sub> = +25 °C)

Description		Sym.	Test Conditions	Min	Typ	Max	Unit
Supply Voltage		V <sub>CC</sub>	T <sub>A</sub> = 0~70 °C	1.0	-	5.5	V
			T <sub>A</sub> = -40~85 °C	1.2	-	5.5	
Supply Current		I <sub>CC</sub>	V <sub>CC</sub> = 3.6V. No load.	-	1.0	3.0	μA
			V <sub>CC</sub> = 5V. No load.	-	1.3	3.6	μA
Output Driving	Output high	V <sub>OH</sub>	V <sub>CC</sub> ≥ 1.8V, I <sub>source</sub> = 1mA	0.8×V <sub>CC</sub>	-	-	V
			V <sub>CC</sub> ≥ 2.5V, I <sub>source</sub> = 3mA	0.8×V <sub>CC</sub>	-	-	
			V <sub>CC</sub> ≥ 4.5V, I <sub>source</sub> = 8mA	0.8×V <sub>CC</sub>	-	-	
	Output low	V <sub>OL</sub>	V <sub>CC</sub> ≥ 1.2V, I <sub>sink</sub> = 1mA	-	-	0.3	V
			V <sub>CC</sub> ≥ 2.5V, I <sub>sink</sub> = 4mA	-	-	0.3	
			V <sub>CC</sub> ≥ 4.5V, I <sub>sink</sub> = 9mA	-	-	0.4	
Open-Drain Output Leakage Current		I <sub>LKG</sub>	-	-	-	1	μA
Voltage Threshold		V <sub>TH-</sub>	+25°C	(V <sub>TH-</sub> ) ×0.985	V <sub>TH-</sub>	(V <sub>TH-</sub> ) ×1.015	V
			-40°C~85°C	(V <sub>TH-</sub> ) ×0.975	V <sub>TH-</sub>	(V <sub>TH-</sub> ) ×1.025	
		V <sub>TH+</sub>	+25°C	(V <sub>TH+</sub> ) ×0.985	V <sub>TH+</sub>	(V <sub>TH+</sub> ) ×1.015	
			-40°C~85°C	(V <sub>TH+</sub> ) ×0.975	V <sub>TH+</sub>	(V <sub>TH+</sub> ) ×1.025	
voltage threshold Hysteresis		V <sub>HYST</sub>	V <sub>HYST</sub> = [(V <sub>TH+</sub> )-(V <sub>TH-</sub> )]/(V <sub>TH-</sub> ) ×100%	3	4.5	6	%
			-	-	1	-	

**Note:** V<sub>TH+</sub> = 1.05 × V<sub>TH-</sub>. V<sub>TH-</sub> is voltage threshold when V<sub>CC</sub> falls from high to low. V<sub>TH+</sub> is voltage threshold when V<sub>CC</sub> rises from low to high.

## AC Electrical Characteristics

### Timing diagram

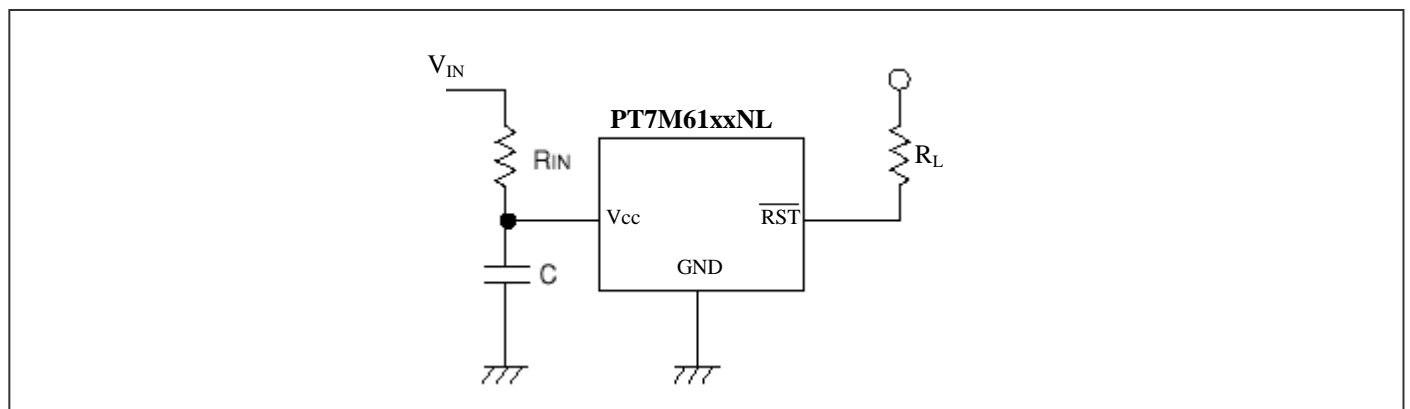


( $V_{CC} = 1.2V$  to  $5.5V$ ,  $T_A = -40 \sim 85 \text{ } ^\circ\text{C}$ , unless otherwise noted. Typical values are at  $T_A = +25 \text{ } ^\circ\text{C}$ )

Sym.	Description	Test Conditions	Min	Typ	Max	Unit
$t_{RP}$	Timeout Period	-	-	-	200	$\mu\text{s}$
$t_P$	Delay	-	-	50	-	$\mu\text{s}$
$t_{\text{overdrive}}$	$V_{CC}$ Maximum Transient Duration	Reset threshold overdrive=500mV ( $V_{CC} - V_{th} = -500\text{mV}$ )	-	20	-	$\mu\text{s}$

## Typical Operation Circuit

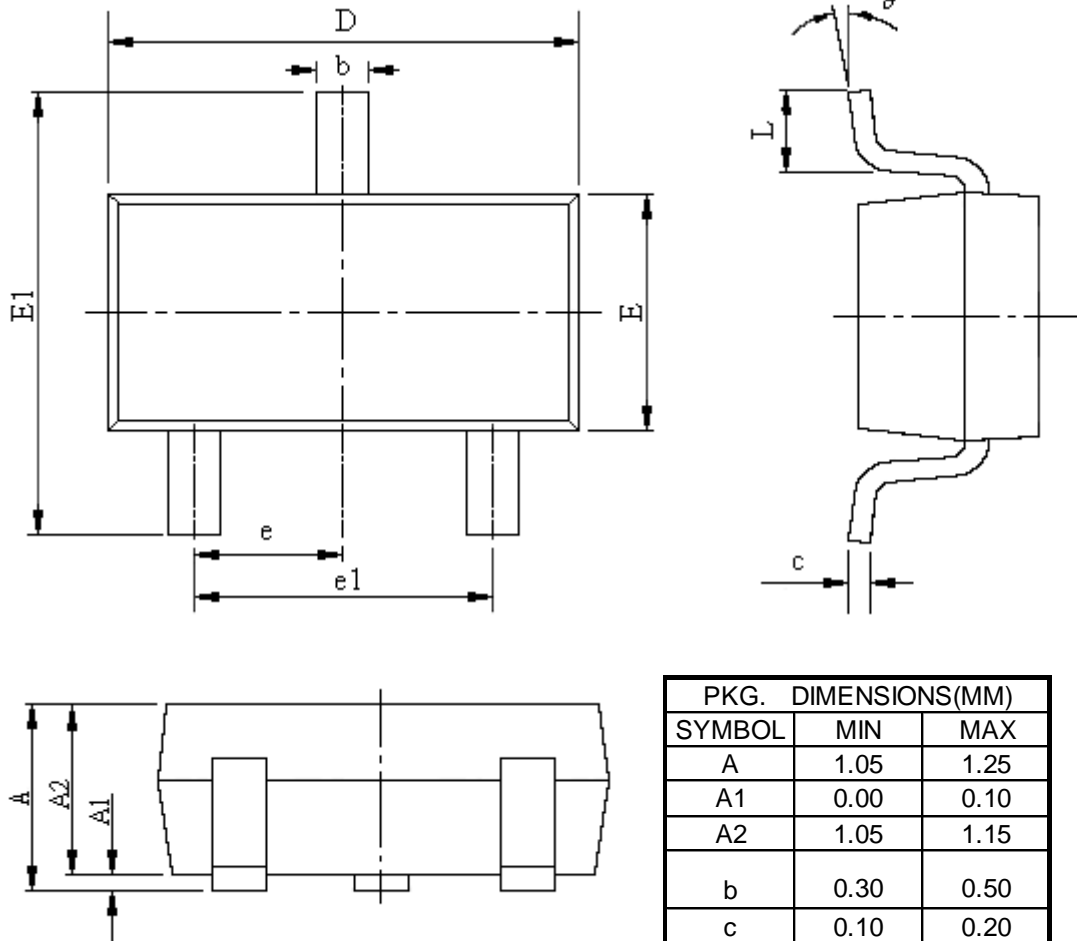
### PT7M61xxNL Application Example



Please use N-ch open drains configuration, when a resistor  $R_{IN}$  is connected between the  $V_{CC}$  pin and power source  $V_{IN}$ . In such cases, please ensure that  $R_{IN}$  is less than  $10\text{k}\Omega$  and that  $C$  is more than  $0.1\mu\text{F}$ .  $R_L$  could be  $1\text{k}\Omega$  to  $510\text{k}\Omega$ .

**Mechanical Information**

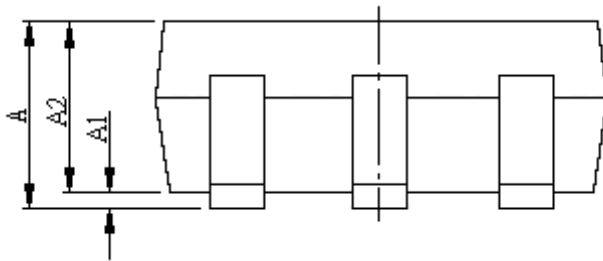
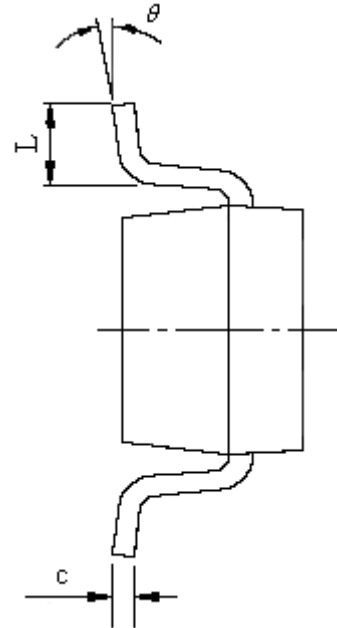
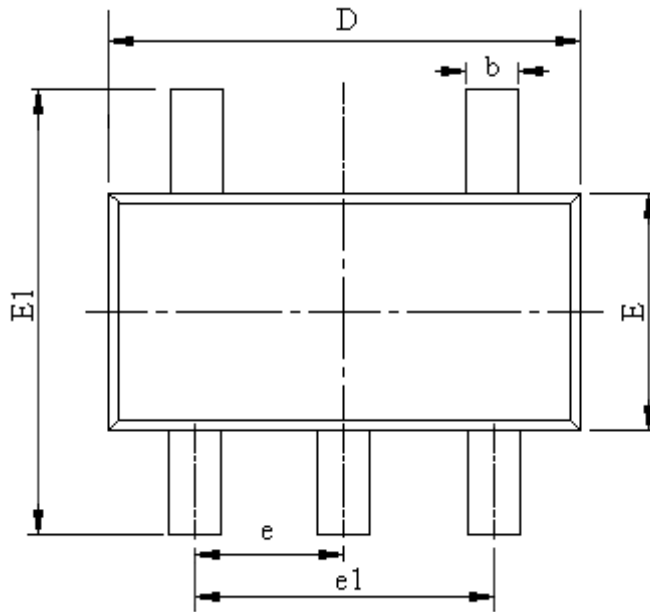
TA3 (SOT23-3)


**Note:**

1) Controlling dimensions in millimeters.

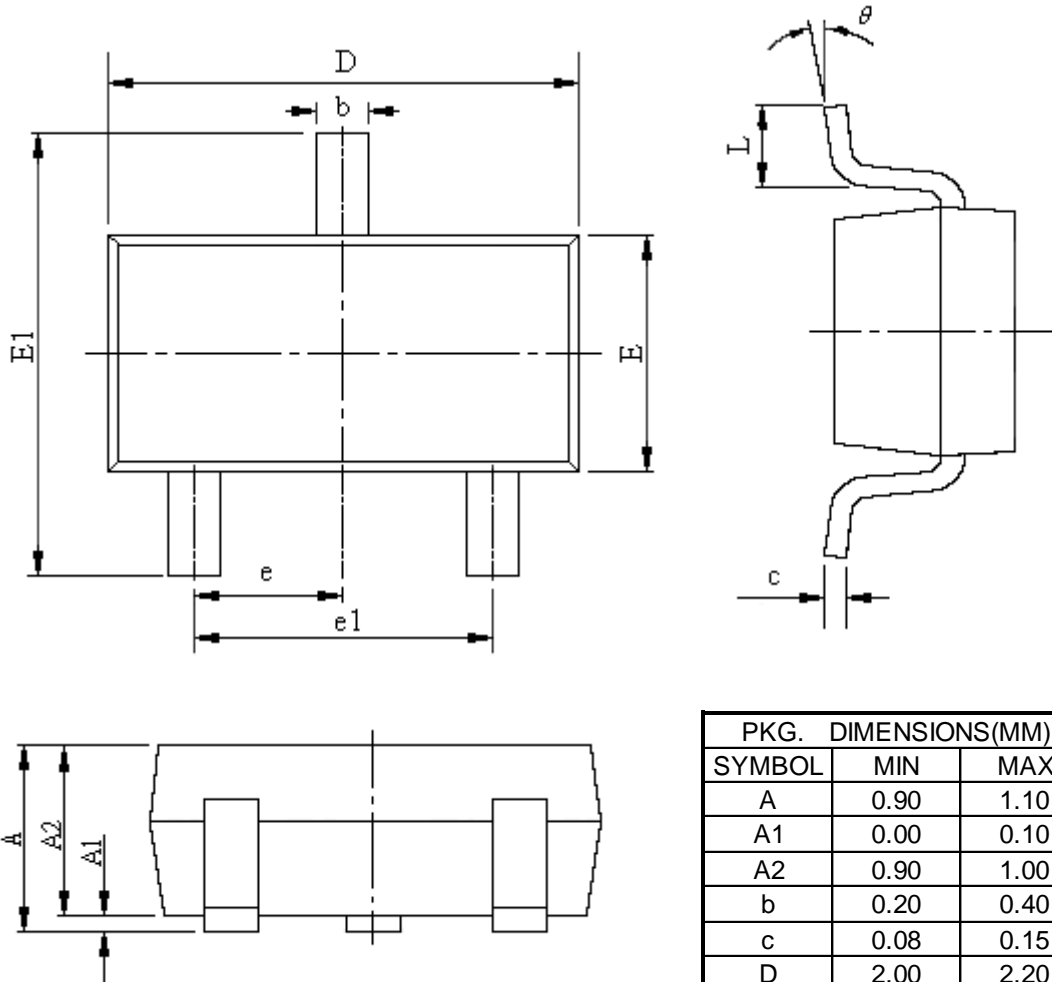
PKG. DIMENSIONS(MM)		
SYMBOL	MIN	MAX
A	1.05	1.25
A1	0.00	0.10
A2	1.05	1.15
b	0.30	0.50
c	0.10	0.20
D	2.82	3.02
E	1.50	1.70
E1	2.65	2.95
e	0.95BSC	
e1	1.80	2.00
L	0.30	0.60
$\theta$	0°	8°

TA5 (SOT23-5)


**Note:**

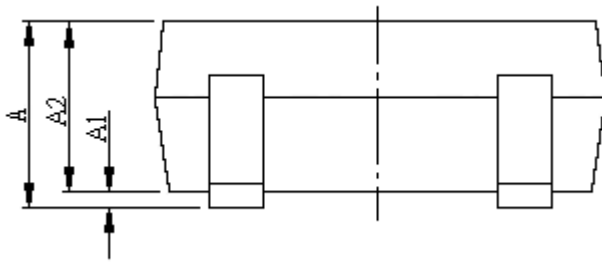
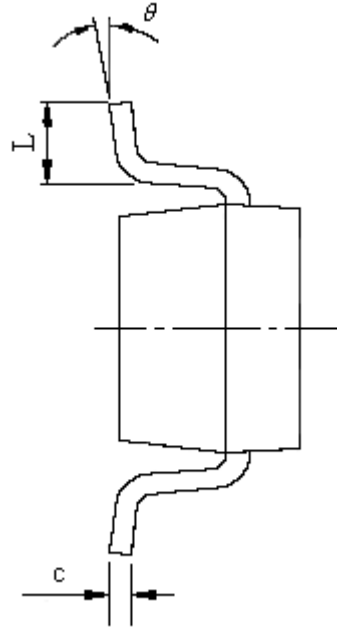
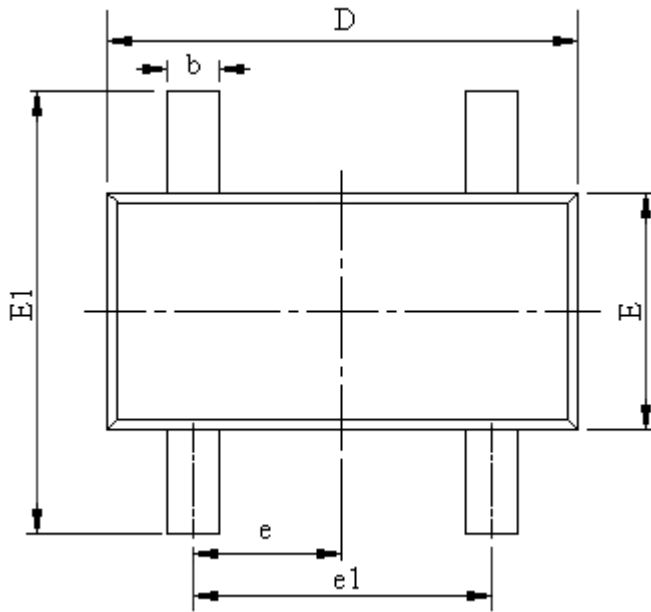
- 1) Controlling dimensions in millimeters.
- 2) Ref: JEDEC MO-178C/AA

PKG. DIMENSIONS(MM)		
SYMBOL	MIN	MAX
A	1.05	1.25
A1	0.00	0.10
A2	1.05	1.15
b	0.30	0.50
c	0.10	0.20
D	2.82	3.02
E	1.50	1.70
E1	2.65	2.95
e	0.95BSC	
e1	1.80	2.00
L	0.30	0.60
$\theta$	0°	8°

**C3 (SC70-3)**

**Note:**

1) Controlling dimensions in millimeters.

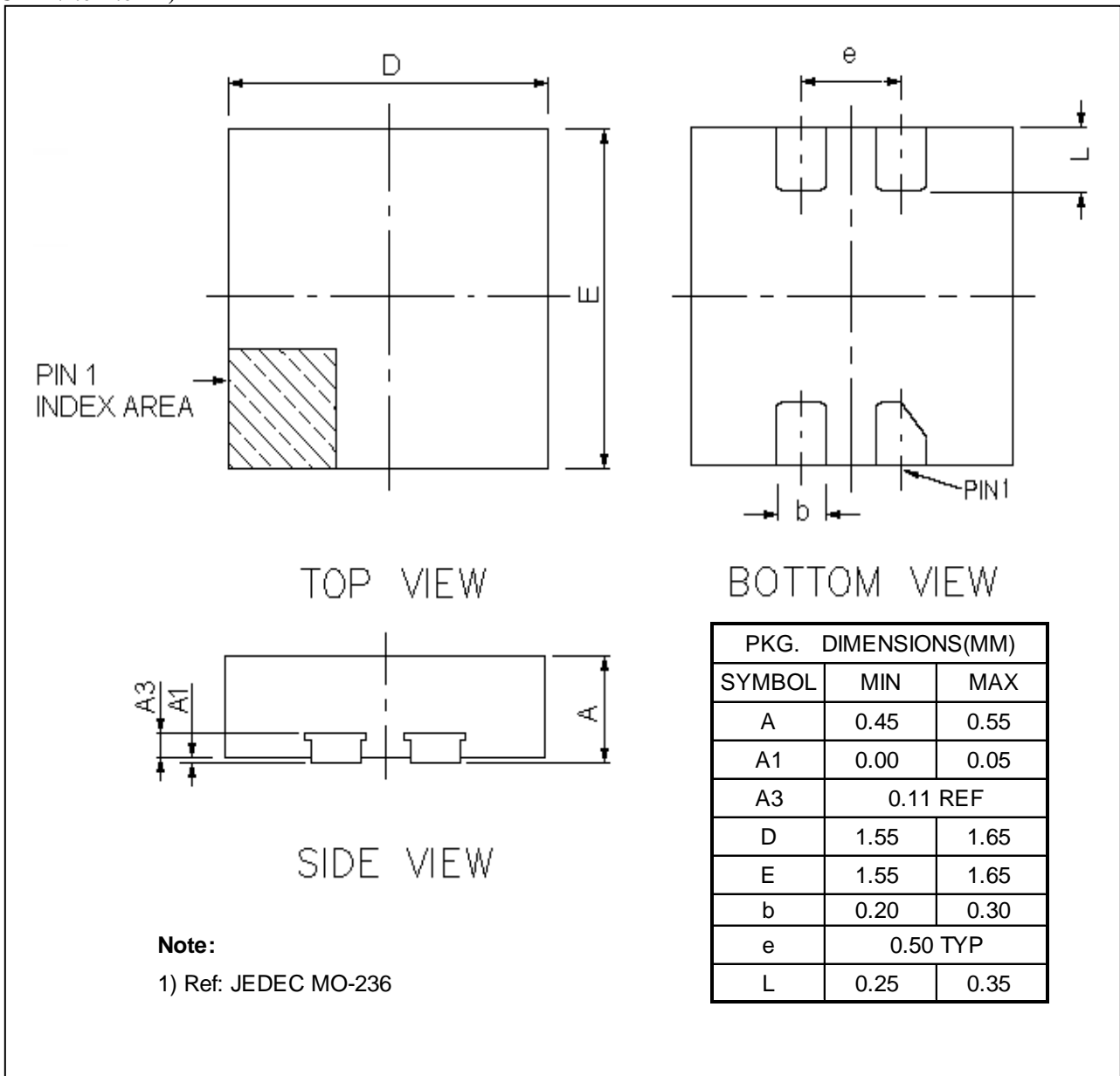
PKG. DIMENSIONS(MM)		
SYMBOL	MIN	MAX
A	0.90	1.10
A1	0.00	0.10
A2	0.90	1.00
b	0.20	0.40
c	0.08	0.15
D	2.00	2.20
E	1.15	1.35
E1	2.15	2.45
e	0.65TYP	
e1	1.20	1.40
L	0.26	0.46
$\theta$	0°	8°

**C4 (SC70-4)**

**Note:**

- 1) Controlling dimensions in millimeters.
- 2) Ref: JEDEC MO-203

PKG. DIMENSIONS(MM)		
SYMBOL	MIN	MAX
A	0.90	1.10
A1	0.00	0.10
A2	0.90	1.00
b	0.15	0.35
c	0.08	0.15
D	2.00	2.20
E	1.15	1.35
E1	2.15	2.45
e	0.65TYP	
e1	1.20	1.40
L	0.26	0.46
$\theta$	0°	8°



**XV (UDFN1.6x1.6-4L)**


## Ordering Information

Part Number	Package Code	Package
PT7M61xxCLTA3E	TA3	Lead free and Green SOT23-3
PT7M61xxCLTA5E	TA5	Lead free and Green SOT23-5
PT7M61xxCLC3E	C3	Lead free and Green SC70-3
PT7M61xxCLC4E	C4	Lead free and Green SC70-4
PT7M61xxCHTA3E	TA3	Lead free and Green SOT23-3
PT7M61xxCHTA5E	TA5	Lead free and Green SOT23-5
PT7M61xxCHC3E	C3	Lead free and Green SC70-3
PT7M61xxCHC4E	C4	Lead free and Green SC70-4
PT7M61xxNLTA3E	TA3	Lead free and Green SOT23-3
PT7M61xxNLTA5E	TA5	Lead free and Green SOT23-5
PT7M61xxNLC3E	C3	Lead free and Green SC70-3
PT7M61xxNLC4E	C4	Lead free and Green SC70-4
PT7M61xxCLETA3E	TA3	Lead free and Green SOT23-3
PT7M61xxCLETA5E	TA5	Lead free and Green SOT23-5
PT7M61xxCLEC3E	C3	Lead free and Green SC70-3
PT7M61xxCLEC4E	C4	Lead free and Green SC70-4
PT7M61xxCHETA3E	TA3	Lead free and Green SOT23-3
PT7M61xxCHETA5E	TA5	Lead free and Green SOT23-5
PT7M61xxCHEC3E	C3	Lead free and Green SC70-3
PT7M61xxCHEC4E	C4	Lead free and Green SC70-4
PT7M61xxNLETA3E	TA3	Lead free and Green SOT23-3
PT7M61xxNLETA5E	TA5	Lead free and Green SOT23-5
PT7M61xxNLEEC3E	C3	Lead free and Green SC70-3
PT7M61xxNLEEC4E	C4	Lead free and Green SC70-4
PT7M61xxNLEXVE	XV	Lead Free and Green DFN1.6X1.6-4L
PT7M61xxNLXVE	XV	Lead Free and Green DFN1.6X1.6-4L
PT7M61xxCLXVE	XV	Lead Free and Green DFN1.6X1.6-4L
PT7M61xxCLEXVE	XV	Lead Free and Green DFN1.6X1.6-4L
PT7M61xxCHXVE	XV	Lead Free and Green DFN1.6X1.6-4L
PT7M61xxCHEXVE	XV	Lead Free and Green DFN1.6X1.6-4L

### Notes:

- 1: "xx" refer to voltage range, see below table 1.
- 2: Adding E suffix=1% Hysteresis. For example: PT7M61xxCLETA3E.
- 3: None E suffix=5% Hysteresis. For example:PT7M61xxCLTA3E.
- 4: E = Pb-free and Green
- 5: Adding X Suffix= Tape/Reel
- 6: Contact Pericom for availability

**Table 1 Function comparison**

Item	Part No.	Reset Output				Threshold
		Open-Drain		Push-Pull		
		Active high	Active low	Active high	Active low	
1	PT7M61xxCL	-	-	-	√	1.8V to 5.0V in 100mV increments
2	PT7M61xxCH	-	-	√	-	
3	PT7M61xxNL	-	√	-	-	

**Table 2 Suffix "xx" definition of PT7M61xx**

Suffix xx	V <sub>TH</sub> (V)	Suffix xx	V <sub>TH</sub> (V)	Suffix xx	V <sub>TH</sub> (V)	Suffix xx	V <sub>TH</sub> (V)	Suffix xx	V <sub>TH</sub> (V)
18	1.8	25	2.5	32	3.2	39	3.9	46	4.6
19	1.9	26	2.6	33	3.3	40	4.0	47	4.7
20	2.0	27	2.7	34	3.4	41	4.1	48	4.8
21	2.1	28	2.8	35	3.5	42	4.2	49	4.9
22	2.2	29	2.9	36	3.6	43	4.3	50	5.0
23	2.3	30	3.0	37	3.7	44	4.4		
24	2.4	31	3.1	38	3.8	45	4.5		

Pericom Semiconductor Corporation • 1-800-435-2336 • [www.pericom.com](http://www.pericom.com)

Pericom reserves the right to make changes to its products or specifications at any time, without notice, in order to improve design or performance and to supply the best possible product. Pericom does not assume any responsibility for use of any circuitry described other than the circuitry embodied in Pericom product. The company makes no representations that circuitry described herein is free from patent infringement or other rights, of Pericom.