

SPECIFICATIONS

ELECTRICAL

| | |
|------------------|------------|
| SUPPLY VOLTAGE | 5V DC |
| SUPPLY CURRENT | 10mA max |
| OUTPUT CURRENT | 2mA max |
| EFFECTIVE OUTPUT | 0V - 5V DC |
| OUTPUT TOLERANCE | ±2% |

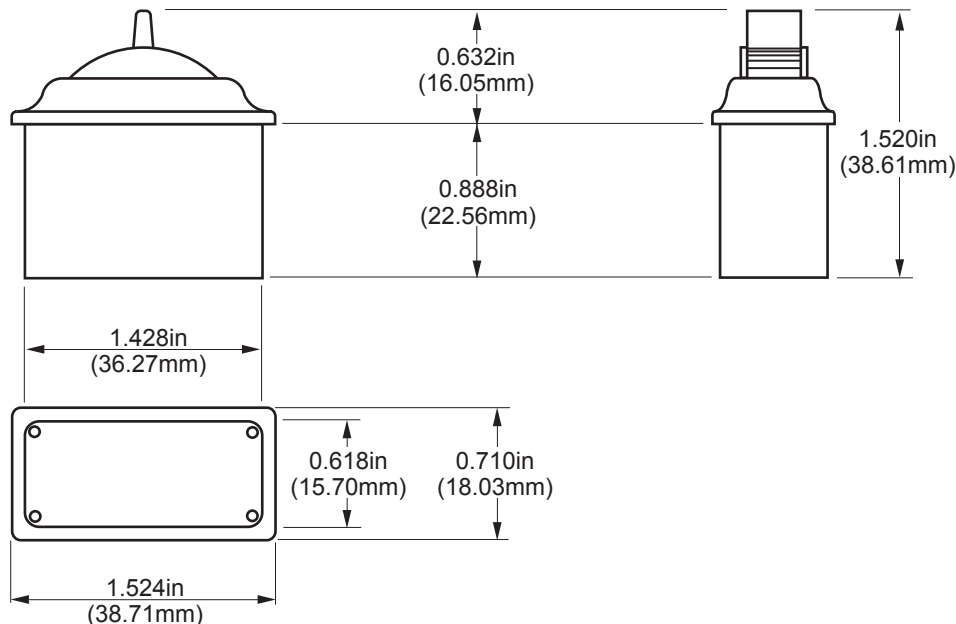
MECHANICAL

| | |
|-----------------------|-----------------------|
| OPERATING TRAVEL | 80° (40° from center) |
| CENTERING | Spring centering |
| ACTUATION FORCE | 80g (0.78 Newtons) |
| OPERATING TEMPERATURE | -40° to +85°C |
| THUMBWHEEL COLOR | Blue |
| LIFE EXPECTANCY | 5 million operations |

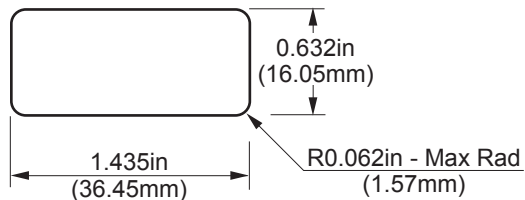
WIRING

| | |
|-------|--------|
| RED | +5V |
| BLACK | Ground |
| BLUE | Output |

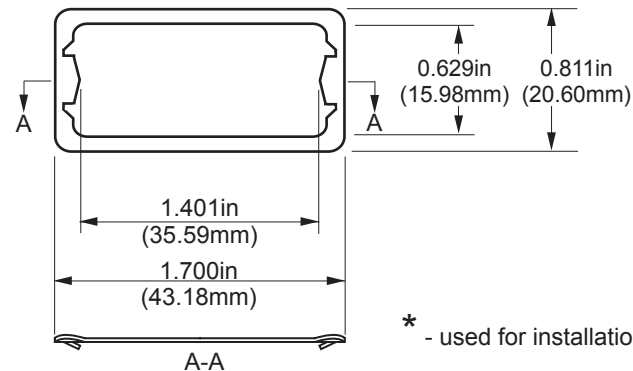
RoHS compliant



MOUNTING CUT-OUT DIMENSIONS



STEEL SPRING RETAINER *



| | | | |
|--|--------------------------|-----|----------|
| P/N | HTW-00-BLUE | REV | A |
| DESCRIPTION | Thumbwheel - Blue | | |
| PROPRIETARY AND CONFIDENTIAL THE INFORMATION CONTAINED IN THIS DRAWING IS THE SOLE PROPERTY OF CH PRODUCTS. ANY REPRODUCTION IN PART OR AS WHOLE WITHOUT THE WRITTEN PERMISSION OF CH PRODUCTS IS PROHIBITED. | | | |