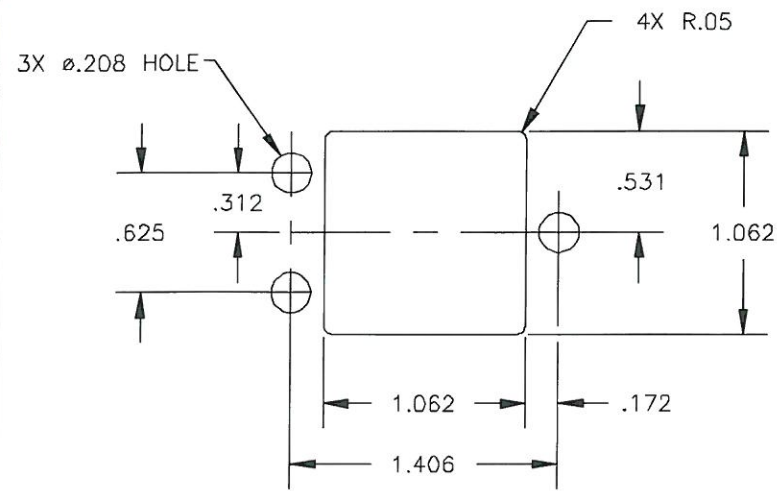
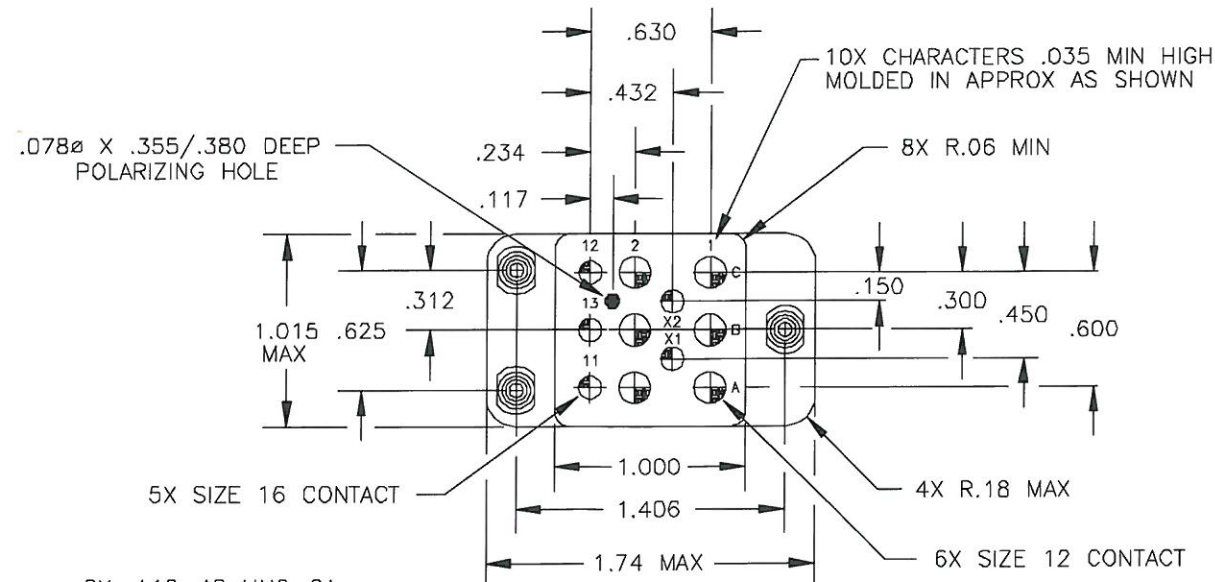


REV	ECN	APP'D
K	2949	JR 11/30/98
L	6750	<i>JR 10/9/11</i>



RECOMMENDED MOUNTING PANEL HOLE



5X SIZE 16 CONTACT

2X .112-40 UNC-2A TYP 3

.190-32 UNF-2A TYP 3

3X FIXED STUD

.890 MAX

.220

.093

.29

.245

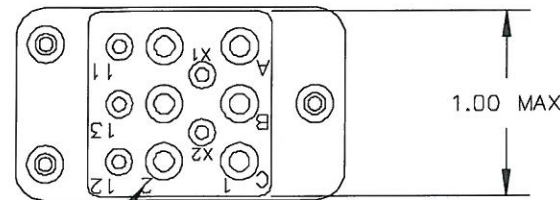
DATE CODE

BLACK MARKING .06 HIGH (MARKING TYPICAL BOTH PART NOS.)

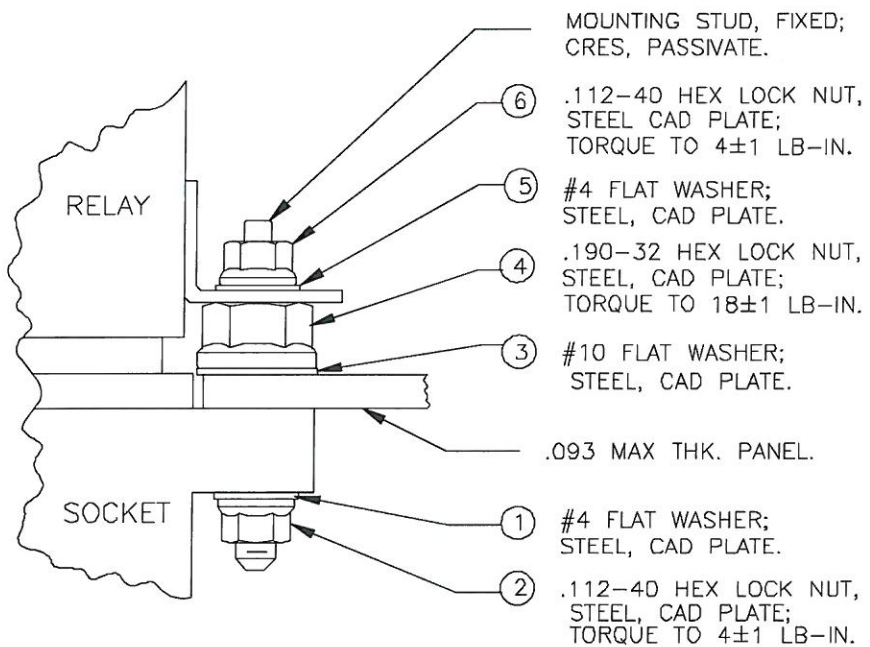
HOUSING

1.00 MAX

WIRE SEALING GROMMET



POSITION MARKING COLOR: WHITE



MOUNTING HARDWARE  
INSTALLATION SEQUENCE BY ITEM NUMBER  
TYP 3 PLACES

- ⑥ MOUNTING STUD, FIXED; CRES, PASSIVATE.
- ⑥ .112-40 HEX LOCK NUT, STEEL, CAD PLATE; TORQUE TO 4±1 LB-IN.
- ⑤ #4 FLAT WASHER; STEEL, CAD PLATE.
- ④ .190-32 HEX LOCK NUT, STEEL, CAD PLATE; TORQUE TO 18±1 LB-IN.
- ③ #10 FLAT WASHER; STEEL, CAD PLATE.
- .093 MAX THK. PANEL.
- ① #4 FLAT WASHER; STEEL, CAD PLATE.
- ② .112-40 HEX LOCK NUT, STEEL, CAD PLATE; TORQUE TO 4±1 LB-IN.

- NOTES:
- CONFORMS TO PERFORMANCE REQUIREMENTS OF MIL-DTL-12883.
  - MATERIALS:
    - A. HOUSING - POLYETHERIMIDE, COLOR: BLUE-GREEN.
    - B. GROMMET - SILICONE ELASTOMER, 50±10 DUROMETER, COLOR: RED.
  - SOCKET CONTACTS CONFORM TO PERFORMANCE REQUIREMENTS OF SAE-AS39029, GOLD OVER NICKEL PLATE - SEE TABLE.
  - COMPLETE MOUNTING HARDWARE SUPPLIED AS SHOWN.
  - OPERATING TEMPERATURE: +125°C/-65°C CONTINUOUS.
  - CONTACT INSTALLATION TOOLS:
 

	<b>#12 CONTACT</b>	<b>#16 CONTACT</b>
CRIMP TOOL:	M22520/1-01	M22520/1-01
POSITIONER:	M22520/1-02	M22520/1-02
INSERTION/REMOVAL:	M81969/14-04	M81969/14-03

PART NO.	CONTACTS SUPPLIED		MARKING
	SZ 12/12 M39029/92-535	SZ 16/16 M39029/92-533	
RSE116626	-	-	RSE116627
RSE116627	6	5	

<b>DIMENSIONS</b> ANSI Y14.5M UNITS: INCHES ACAD FILE	<b>TOLERANCES</b> .XX ±.01 .XXX ±.005 ANGLES ±2°	<b>PROJECTION</b> 
ORIGINAL 	THIS DOCUMENT CONTAINS PROPRIETARY INFORMATION WHICH IS THE CONFIDENTIAL PROPERTY OF AMPHENOL PCD, BEVERLY, MA, USA	

**Amphenol Pcd**  
SPECIFICATION DRAWING  
ENGR  
A. PATRIE 11/23/98  
CHKD *[Signature]* 10/4/11  
APPD *[Signature]* 10/9/11

**TITLE**  
RELAY SOCKET  
3 POLE, 25 AMP  
(6) SZ 12, (5) SZ 16

SIZE B	DWG NO. RSE116626	REV L
CODE: 58982	SCALE: 1X	SHEET 1 OF 1

RSE116626

RSE116626