

4

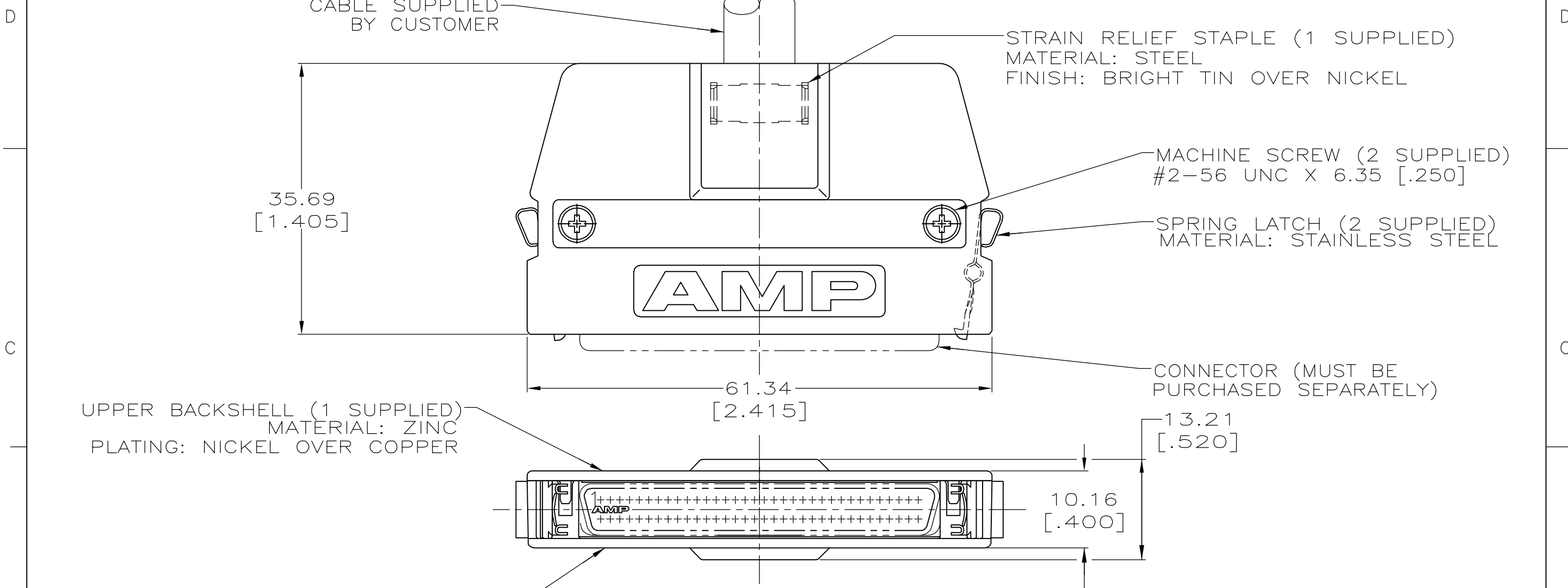
3

2

1

THIS DRAWING IS UNPUBLISHED. RELEASED FOR PUBLICATION
 © COPYRIGHT BY TYCO ELECTRONICS CORPORATION. ALL RIGHTS RESERVED.

LOC	DIST	REVISIONS			
P	LTR	DESCRIPTION	DATE	DWN	APVD
GP	00	0	RELEASED PER EC OS13-0001-05	25AUG05	GP JG



UPPER BACKSHELL (1 SUPPLIED)
 MATERIAL: ZINC
 PLATING: NICKEL OVER COPPER

LOWER BACKSHELL (1 SUPPLIED)
 MATERIAL: ZINC
 PLATING: NICKEL OVER COPPER

**COPYRIGHT 2005
 TYCO ELECTRONICS CORP
 ALL RIGHTS RESERVED**

1 11.18 [.440] MAX CABLE DIA
 2. PARTS PACKAGED AS A UNIT KIT.

5749195-2
 PART NO

THIS DRAWING IS A CONTROLLED DOCUMENT.		DWN G.PETERS 25AUG05	Tyco Electronics Corporation Harrisburg, Pa 17105-3608	
DIMENSIONS: mm [INCHES]		CHK S.SHUEY 25AUG05		
TOLERANCES UNLESS OTHERWISE SPECIFIED:		APVD M.WALMSLEY 25AUG05	NAME	
0 PLC ± -		PRODUCT SPEC	INDIVIDUAL KIT, UNASSEMBLED, 68 POSITION, STRAIGHT EXIT, UNKEYED, AMPLIMITE .050 Series	
1 PLC ± -		APPLICATION SPEC	SIZE	RESTRICTED TO
2 PLC ± -		WEIGHT	A3	-
3 PLC ± 0.38[.015]		CUSTOMER DRAWING	CAGE CODE 00779	DRAWING NO C-5749195
4 PLC ± -		SCALE 1:1	SHEET 1 OF 1	REV 0
ANGLES ± -				
FINISH -				