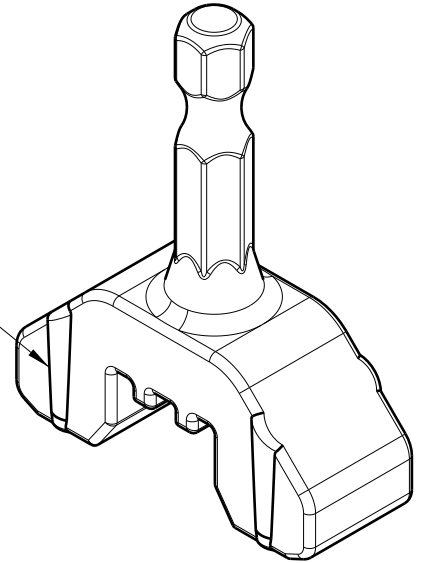
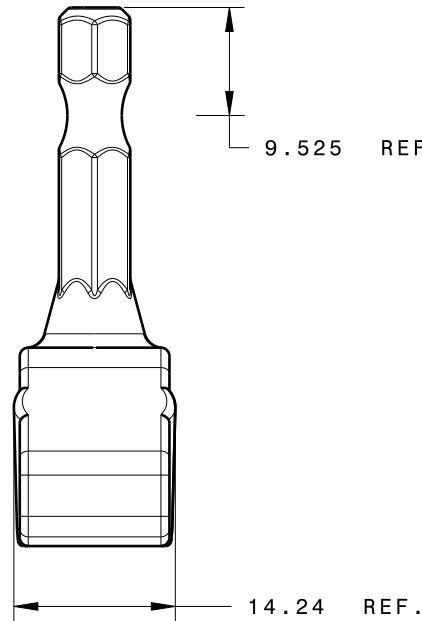
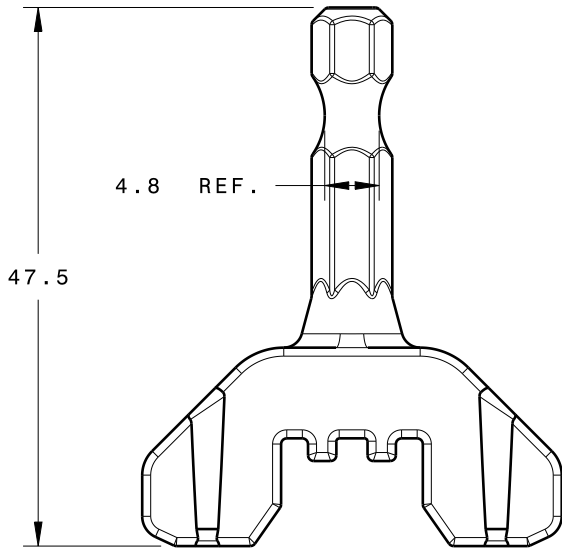


3X 6.3 REF.
STANDARD 1/4"
HEX HEAD SHANK

SMALL RIBS ALLOW
INTERFERENCE
WITH THE H-MOUNT



Isometric view



I
N
V
E
N
T
O
R
S

HellermannTyton®

ALL PROPRIETARY RIGHTS IN THE SUBJECT MATTER SHOWN ON THIS DRAWING ARE EXCLUSIVE PROPERTY OF HELLERMANN TYTON

name	date	city, state
S. ADAMS	9/14/10	MENOMONEE FALLS, WI.

R
E
V
I
S
I
O
N
S

DR level	
AW by	SJA
IN date	11/2/10
NG ECN #	011684
part level	A

D
I
M
E
N
S
I
O
N
S

TOLEPRANCSSES	.XXXX = ± 0.10
	.XXX = ± 0.25
	.XX = ± 0.50
	.X = ± 1.00
	∠ = ± 0.5
	unless otherwise specified
units	millimeters

P
A
R
T

number	HBIT	phase	PRODUCTION
name	H-MOUNT BIT (1/4" HEX)		
material	4140 STEEL COATING: BLACK OXIDE		

D
R
A
W
I
N
G

FORMAT	AH	CAD	CATIA V5	SCALE	3:2
VERSION	J				
A- SIZE (landscape)_N01		previous drawing number			
drawn	S. ADAMS	checked	P. TRAUTFIELD	approved	
	8/20/10		11/16/10		
type	CUSTOMER		sheet 1 of 1		
number	MT09-0354-100CST				