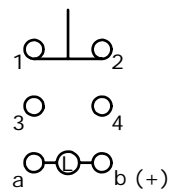


ISOMETRIC

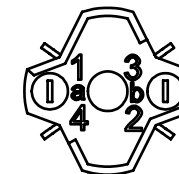
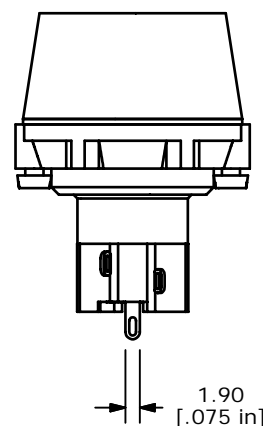
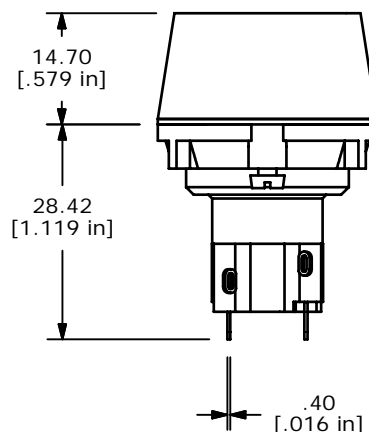
RECOMMEND PANEL MOUNTING



SPDT CONTACT CONFIGURATION

NOTES:

1. ALL DIMENSIONS IN MM [INCH].
2. GENERAL TOLERANCE: 0.0±0.4
0.00±0.25
3. TERM. NOS. FOR REF. ONLY.
4. RATING: 5A @250VAC
8A @125VAC
.2A @250VDC
6A @24VDC
5. ELECTRIC LIFE: 50,000 MAKE-OR-BREAK CYCLES AT FULL LOAD.
6. INSULATION: 1,000 MΩ MIN.
7. DIELECTRIC STRENGTH: 1,500V FOR 1 MIN.
3,000V BETWEEN POLES
8. OPERATING TEMP: -20°C TO 55°C
9. LENS COLOR: RED
10. LAMP: LED 12VDC RED



E-SWITCH®

TITLE LASEEU11JREDRED

A	14895	RELEASED FOR PRODUCTION	5/11/05	JB
REV	PCR NO	DESCRIPTION	DATE	BY

THE INFORMATION CONTAINED IN THIS DOCUMENT IS PROPRIETARY TO E-SWITCH AND IS NOT TO BE COPIED OR TRANSFERRED

SCALE	DATE	DR	DWG	REV
1:1	5/11/2005	JB	F060625	A