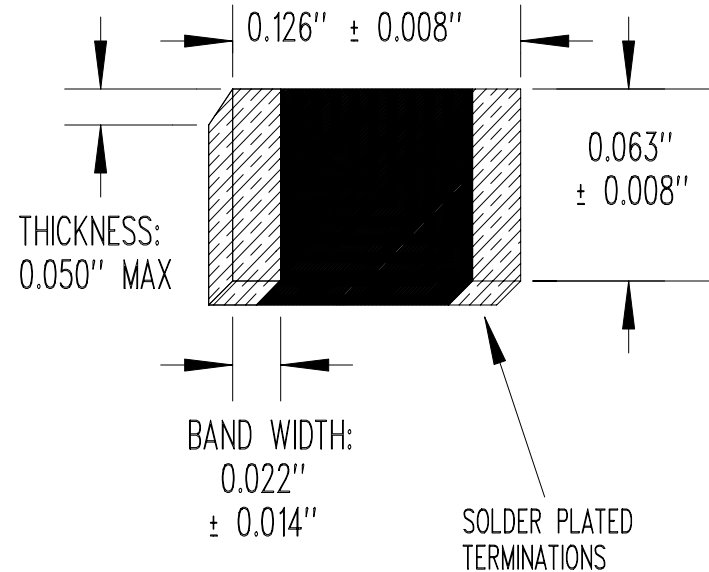


RESISTANCE/TEMPERATURE TABLE			
TEMP (°C)	RESIS (Ω)	TEMP (°C)	RESIS (Ω)
-40	17,848	45	507.4
-35	13,643	50	433.4
-30	10,528	55	371.8
-25	8,197	60	320.2
-20	6,437	65	276.9
-15	5,095	70	240.4
-10	4,063	75	209.4
-5	3,264	80	183.1
0	2,640	85	160.8
5	2,149	90	141.7
10	1,760	95	125.2
15	1,450	100	111.1
20	1,201	105	98.81
25	1,000	110	88.16
30	837.6	115	78.88
35	705.3	120	70.77
40	596.8	125	63.66



RESISTANCE @ +25°C = 1,000 Ω ± 5%
 BETA "β" (+25 TO +85°C) = 3,250°K NOMINAL
 POWER RATING = 400 mW/°C
 OPERATING TEMPERATURE RANGE = -40 TO +125°C

SEE MANUFACTURING SPECIFICATION (LAYER 1)

REV	REVISION RECORD	DATE	APP
"C"	THICKNESS WAS 0.048" MAXIMUM	12/12/03	DD
"B"	ADDED RESISTANCE VERSUS TEMPERATURE CHART	12/11/03	DD
"A"	ADDED BANDWIDTH DIMENSION	11/14/03	DD
NONE	RELEASE TO PRODUCTION	12/03/03	DD

SCALE	NONE	U.S. SENSOR CORP. 1832 W. COLLINS AVE. ORANGE, CA. 92867 714-639-1000 www.ussensor.com
DRAWN BY	DAN DANKERT	
DATE	07/25/03	
REV.	"C"	
LAYER	0 OF 2	THERMISTOR, NTC CHIP P/N LR102DOJ